

TOORX
PROFESSIONAL LINE

INSTRUCTION



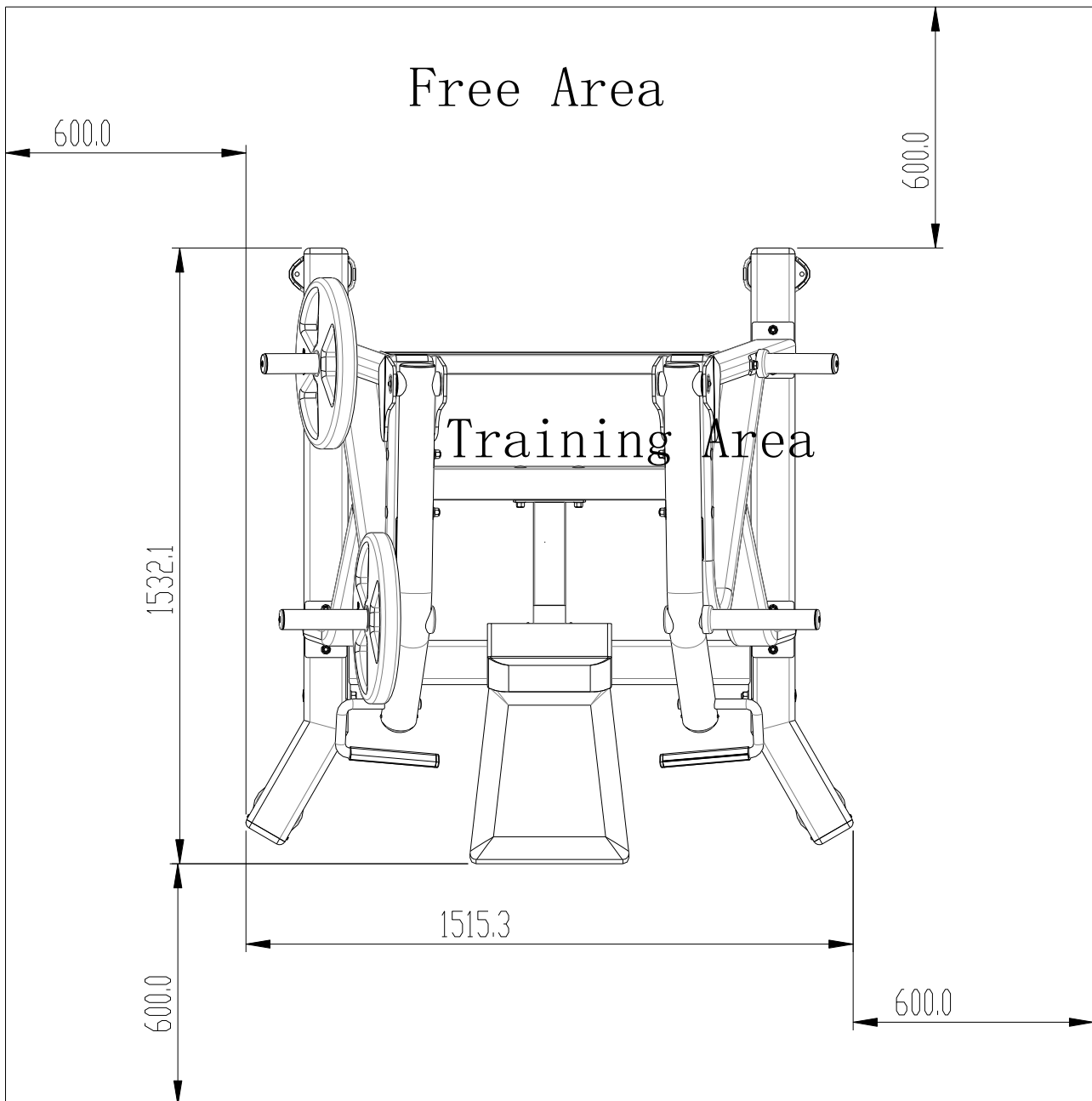
FWX5400



Cod : GRLDTOORXFWX5400

Rev : 00

Ed : 10/19



Specifications

Class: S

Maximum Wt. Capacity: 130 kg/286 IBS

Maximum User Weight: 135 kg/297 IBS

Product Total Surface: 1532*1515

Product Total Mass: 140 kg/308 IBS

Exploded diagram

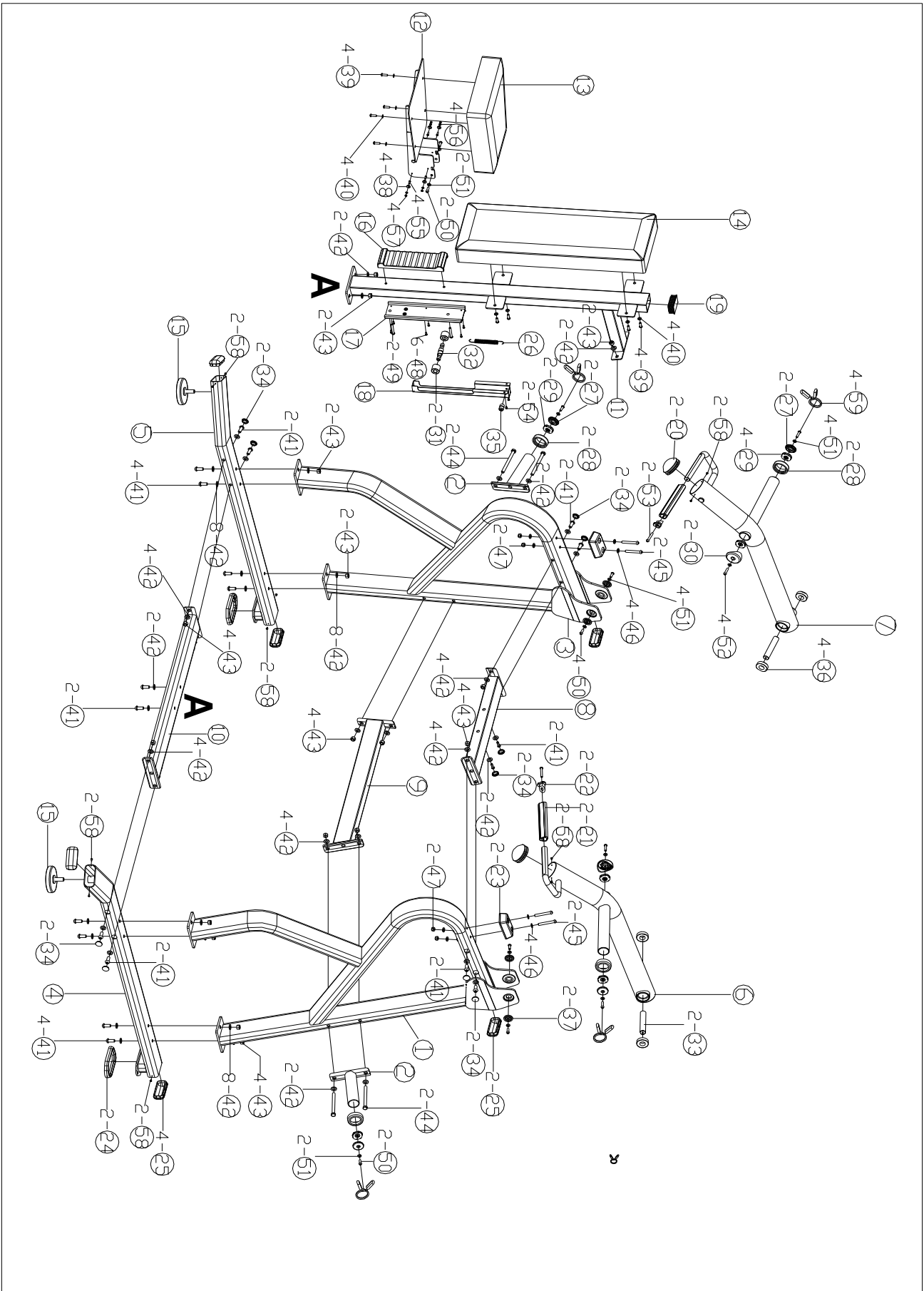
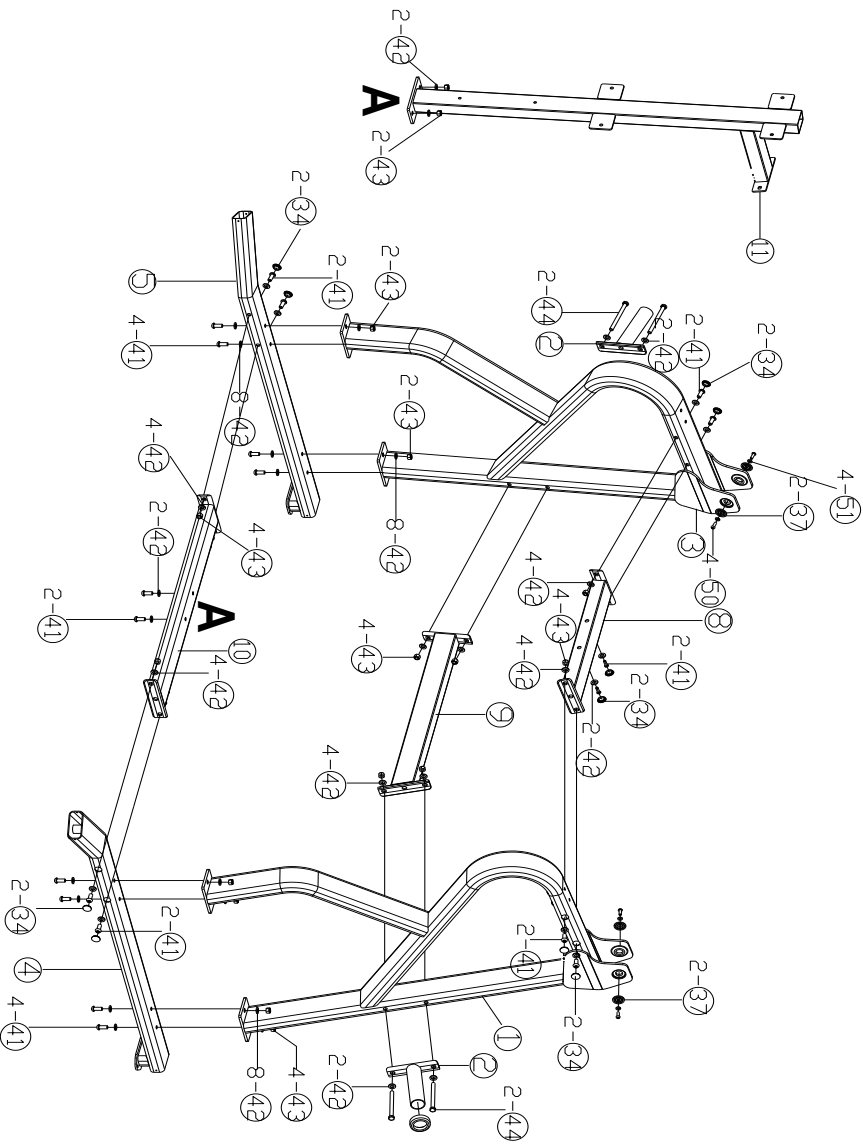
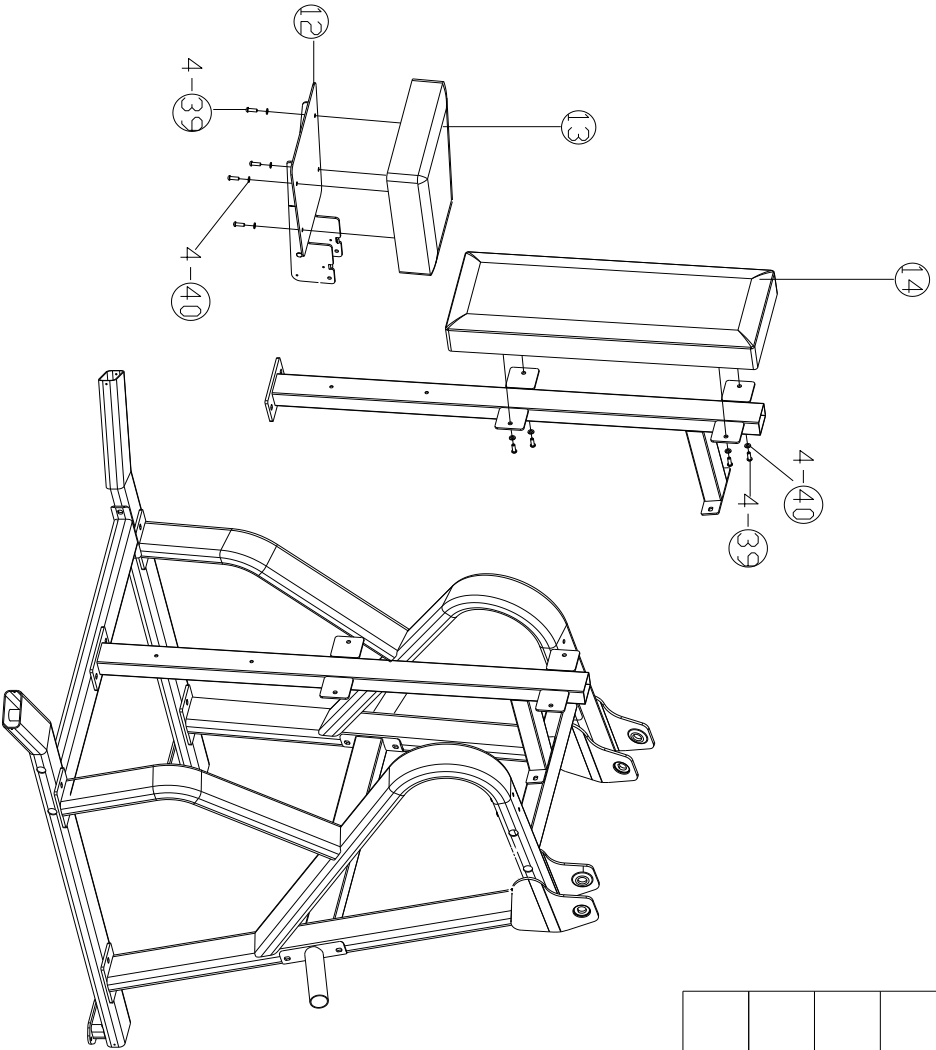


Illustration step



NO.	Name	Specification	Qty
1	Right Side Upright Column Welding Group		1
4	Seat Welding Group		1
10	Downward Connect Frame Welding Group		1
9	Middle Connect Frame Welding Group		1
8	Upside Connect Frame Welding Group		1
3	Left Side Upright Column Welding Group		2
11	Back seat Welding Group		8
2	Barrel welding group		2
41	Half Round Head Hexagon Screw	M12*30	20
37	Bearing Cap		4
34	cap		10
50	Half Round Head Hexagon Screw	M8*20	6
51	Washer	M8	6
44	Hex Screw	M12*140	4
42	Washer	M12	54
43	nut	M12	22
5	Seat Welding Group		1

2



NO.	Name	Specification	Qty
14	back cushion		1
13	seat cushion		1
39	Half Round Head Hexagon Screw		8
40	Washer		8
12	Seat Welding Group		1

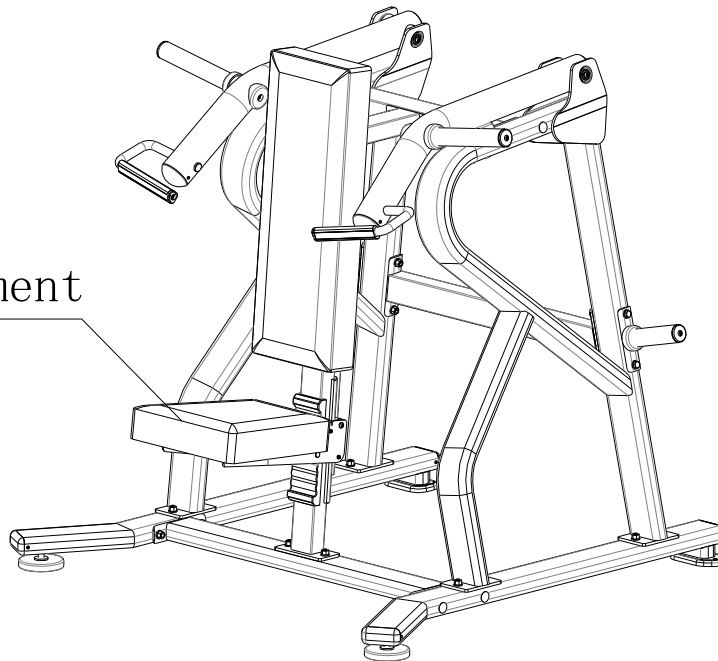
Adjustment Instructions

Adjustment Instructions of Functional Trainer

Adjustment of Seat

Hold the cushion and adjust to the right position

Seat adjustment





GARLANDO SPA
Via Regione Piemonte, 32 - Zona Industriale D1
15068 - Pozzolo Formigaro (AL) - Italy
www.toorx.it - info@toorx.it